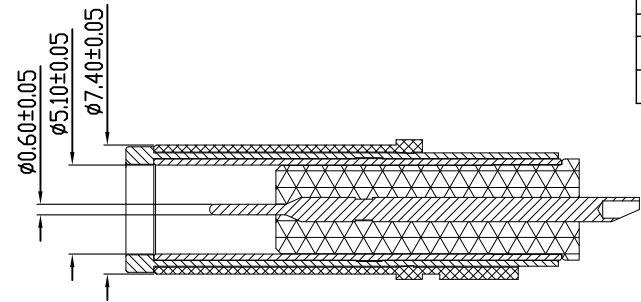
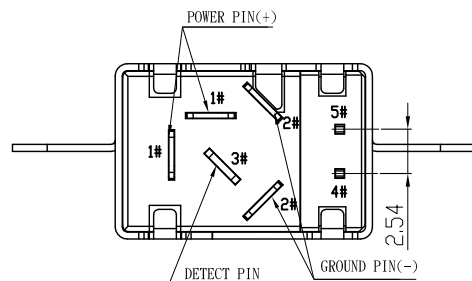


HALOGEN FREE

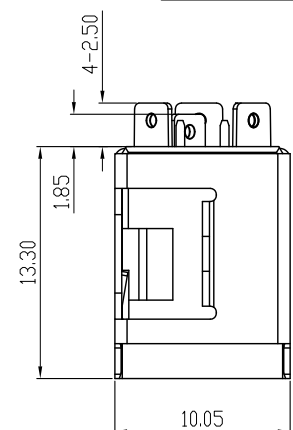
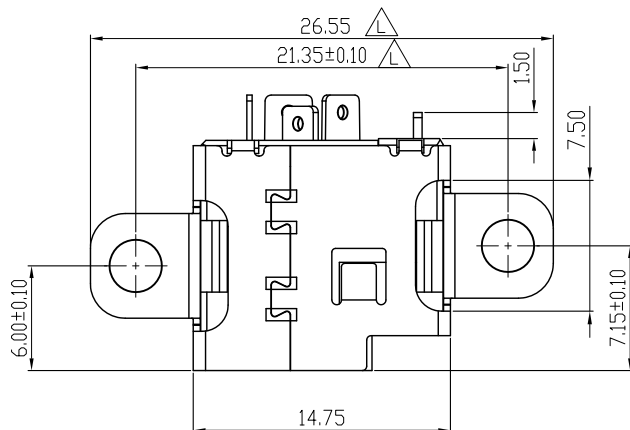
REVISIONS

REV	DESCRIPTION	DWN	DATE
N	UPDATE NOTE	Kelly Yen	2018-03-13
P	UPDATE NOTE	Kelly Yen	2018-04-23

SPECIFICATION:  
 1.ELECTRICAL CHARACTERISTICS:  
 1.1 CONNECTOR RATED CURRENT:12A&30°C MAX AT OVER AMBIENT  
 RATED VOLTAGE:20V AC  
 1.2 INSULATION RESISTANCE:100 MOHMS MIN AT 500V DC AFTER 1 MINUTE.  
 1.3 DIELECTRIC WITHSTANDING VOLTAGE: 500V AC FOR 1MINUTE.  
 1.4 CONTACT RESISTANCE:30 mOHMS MAX.  
 2. MECHANICAL CHARACTERISTICS:  
 2.1 INSERTION FORCE:2.5kgf MAX; UNMATING FORCE: 1.0kgf MIN  
 DURABILITY(INSERTION/EXTRACTION CYCLES); 5000 CYCLES.  
 3.PART NUMBER: DCJ-041-1N05HX  
 PLATING ON CONTACT AREA:  
 G: GOLD FLASH  
 P: 30u\*Pd/Ni WITH 5u\*Au  
 I: Au 5u\* MIN. ON CONTACT AREA. 50u\*Ni MIN. UNDERPLATING



MATING PLUG

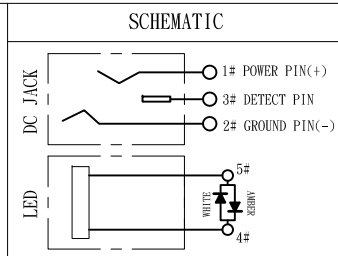
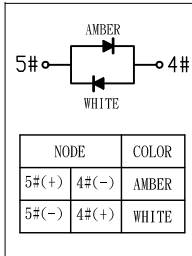


LED'S CHARACTERISTICS:

LED PIN (NODE)	COLOR	DOMINANT WAVELENGTH	FORWARD VOLTAGE	LUMINORS INTENSITY AT 20mA	
5#(+)	4#(-)	AMBER	584~594nm	2.6V MAX	37.6~192.4 MCD
5#(-)	4#(+)	WHITE	N/A	3.7V MAX	400~1150MCD

Build of material:

NO	DESCRIPTION	QTY	MATERIAL	PLATING & COLOR
7	HP DC JACK(BUSINESS TYPE)-LED	1	1L2429Y2W30M2001	AMBER/WHITE
6	HP DC JACK(BUSINESS TYPE)-STOPPER	1	LCP	BLACK
5	HP DC JACK(BUSINESS TYPE)-DETECT PIN	1	PHOSPHOR BRONZE T=0.40±0.05mm	50u*/GOLD
4	HP DC JACK(BUSINESS TYPE)-POWER PIN	1	COPPER ALLOY T=0.30±0.03mm	50u*/GOLD
3	HP DC JACK(BUSINESS TYPE)-GROUND PIN	1	COPPER ALLOY T=0.30±0.03mm	50u*/GOLD
2	HP DC JACK(BUSINESS TYPE)-HOUSING	1	LCP	BLACK
1	HP DC JACK(BUSINESS TYPE)-SHELL	1	SUS 201 T=0.40±0.03mm	30u* Ni Min



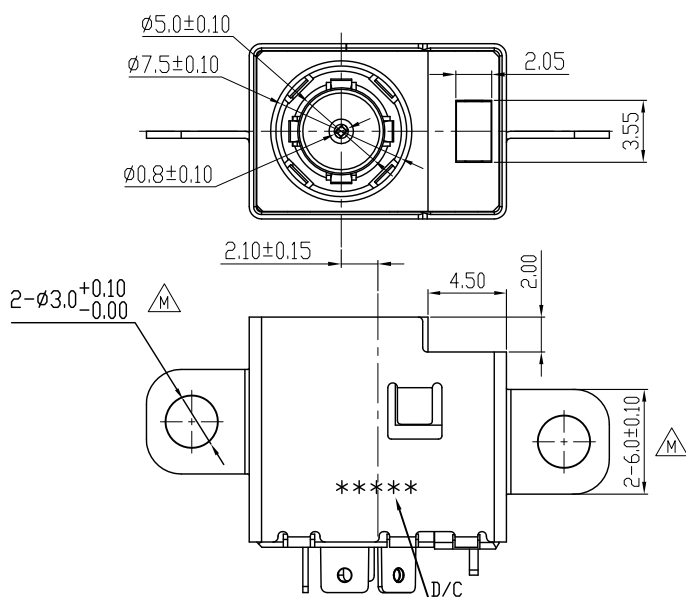
NODE	COLOR	
5#(+)	4#(-)	AMBER
5#(-)	4#(+)	WHITE

GENERAL TOLERANCES (OTHERWISE SPECIFIED)	SCALE	DESIGN UNITS
4 PLS ±	NONE	MILIMETER
3 PLS ±		
2 PLS ± 0.20		
1 PLS ± 0.30		
ANGLES ± °		
QUALITY SYMBOLS		

TITLE	PART NO.
7.5mm DC POWER JACK CABLE TYPE	DCJ-041-1L05HX

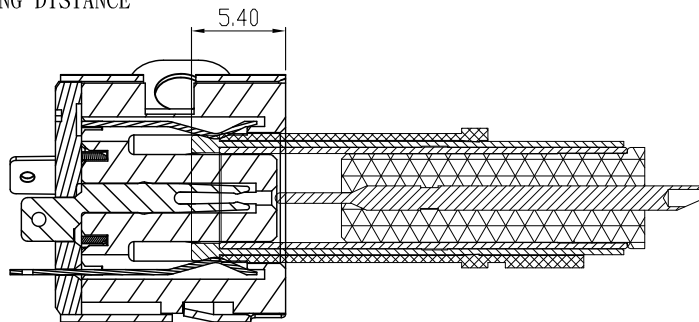


THIS DRAWING CONTAINS INFORMATION THAT IS PROPRIETARY TO VITECK CORP., LTD AND SHOULD NOT BE USED WITHOUT WRITTEN PERMISSION	THIRD ANGLE PROJECTION	DWG REV.	SHEET NO.	SIZE
		P	1 OF 2	

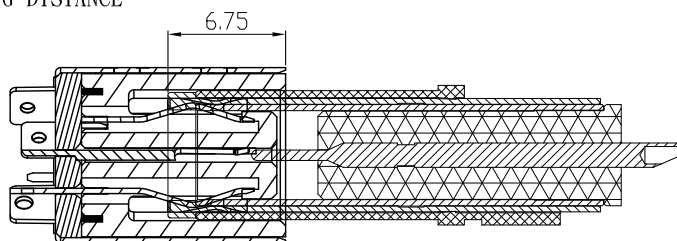


HALOGEN FREE

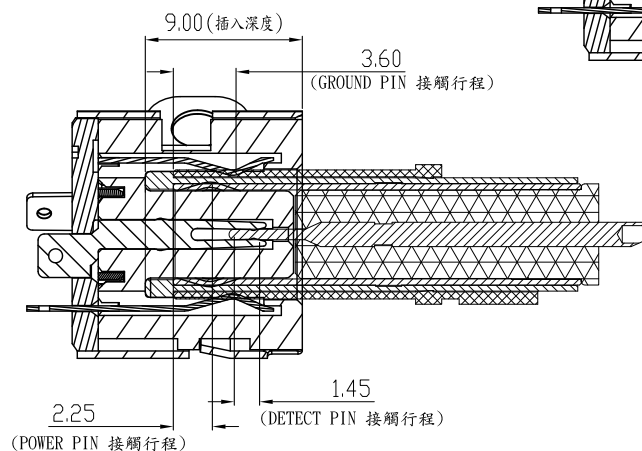
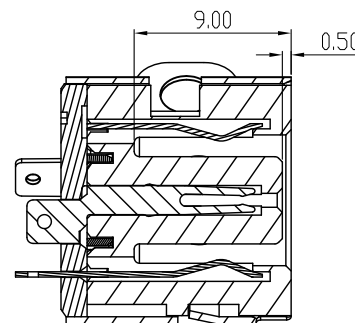
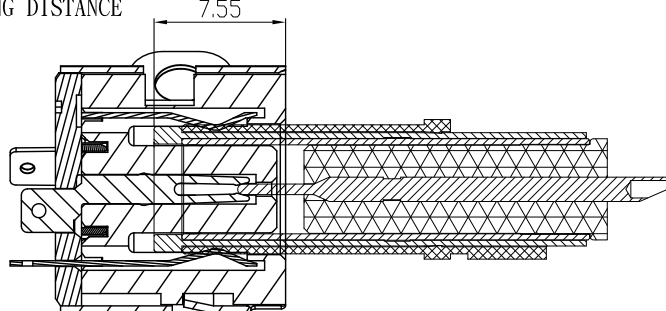
1. GROUND PIN WIPING DISTANCE



2. POWER PIN WIPING DISTANCE



3. DETECT PIN WIPING DISTANCE



CONTACT SEQUENCE:  
GROUND CONTACT--POWER CONTACT--DETECT CONTACT

GENERAL TOLERANCES (OTHERWISE SPECIFIED)		SCALE NONE	DESIGN UNITS MILIMETER		
4 PLS	±	DRAWN BY Kelly Yen	DATE 2018-04-23		TITLE 7.5mm DC POWER JACK CABLE TYPE
3 PLS	±	CHECKED BY	DATE	PART NO. DCJ-041-1L05HX	
2 PLS	± 0.20	APPROVED BY	DATE		
1 PLS	± 0.30				
ANGLES	± °	DRAWING NO. SD-DCJ041-001			
QUALITY SYMBOLS				DWG REV. P	
THIS DRAWING CONTAINS INFORMATION THAT IS PROPRIETARY TO VITECK CORP., LTD AND SHOULD NOT BE USED WITHOUT WRITTEN PERMISSION				THIRD ANGLE PROJECTION	SHEET NO. 2 OF 2
				SIZE	

7

6

5

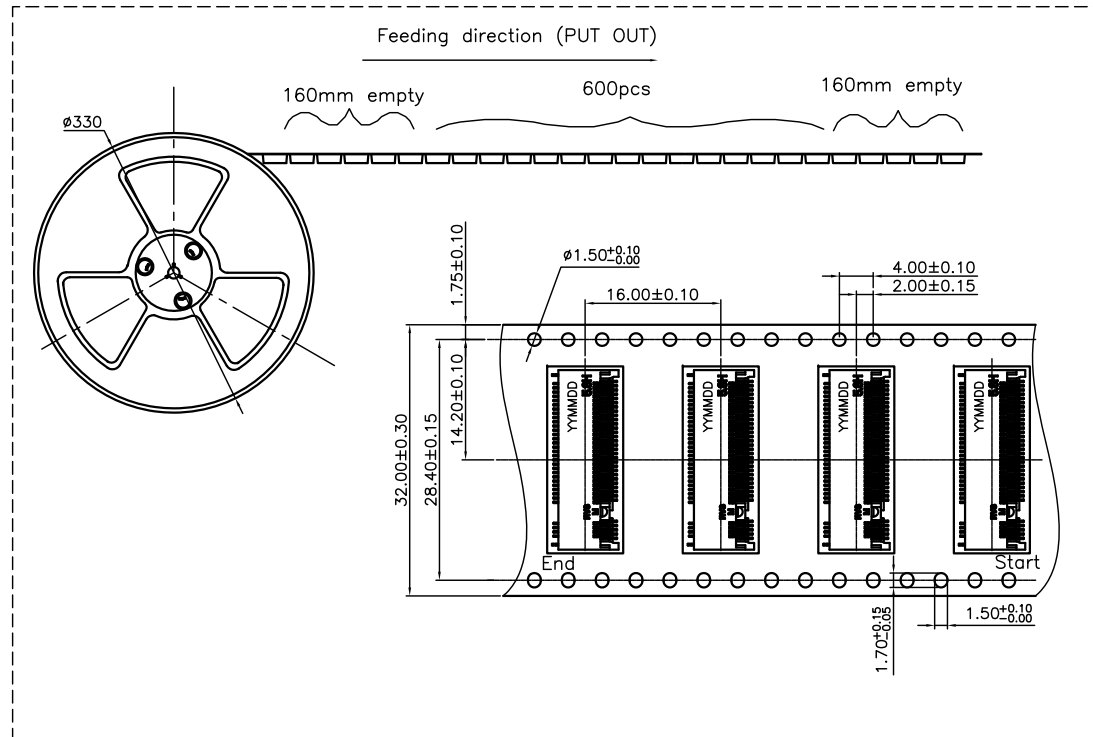
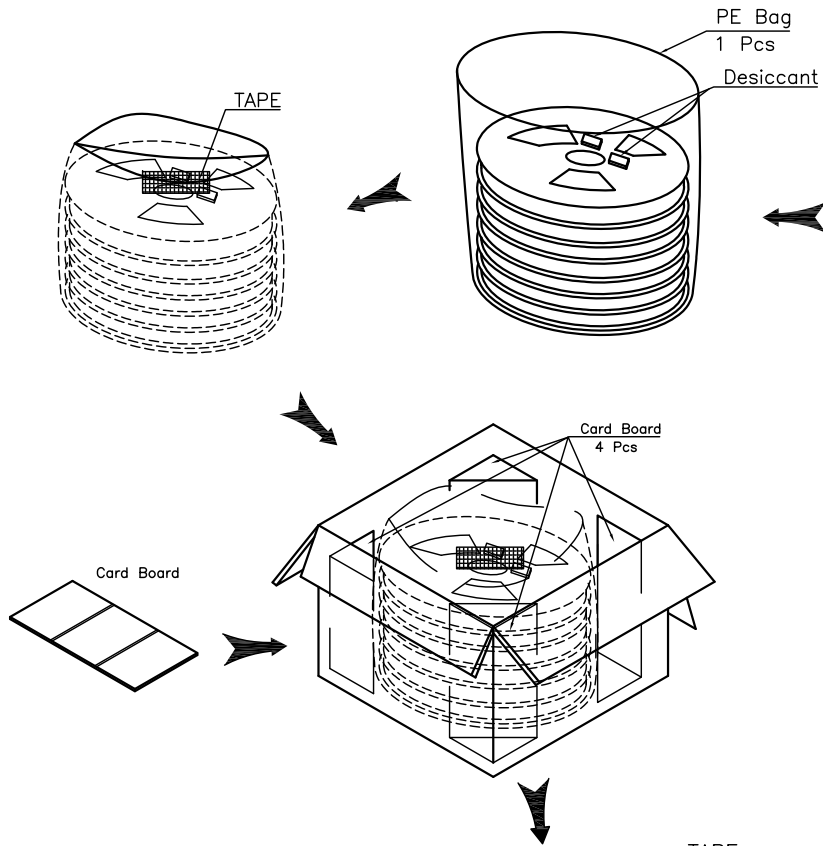
4

3

2

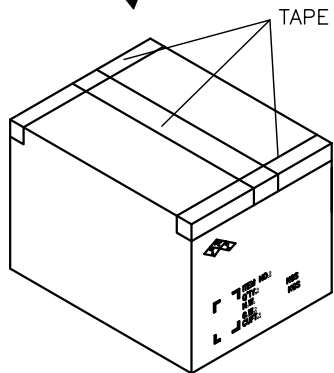
1

REVISIONS			
REV	DESCRIPTION	DWN	DATE
B	MODIFY DIM.	JACK WU	2016-12-09
C	FIX QUANTITY	JACK WU	2017-04-25



- Notes:
1. Peel off force of top tape: 0.1~1.3N;
  2. 600 pcs/reel, 6000 pcs/carton.

600	10	6000
PCS/REEL	REELS/BOX	PCS/BOX



GENERAL TOLERANCES (OTHERWISE SPECIFIED)	SCALE NONE	DESIGN UNITS MILIMETER	
4 PLS ±	DRAWN BY JACK WU	DATE 2016-12-09	
3 PLS ±	CHECKED BY	DATE	NGFF Socket (M.2 Connector)
2 PLS ±	APPROVED BY	DATE	H=5.8H, RVS Key M PACKING
1 PLS ±	DRAWING NO. PK-M2N018-00X	PART NO. M2N-018-1X67HX	
ANGLES ± °	THIS DRAWING CONTAINS INFORMATION THAT IS PROPRIETARY TO VITECK CORP., LTD AND SHOULD NOT BE USED WITHOUT WRITTEN PERMISSION	THIRD ANGLE PROJECTION	DWG REV. C
QUALITY SYMBOLS ∇=0			SHEET NO. 1 OF 1
			SIZE

7

6

5

4

3

2

1