

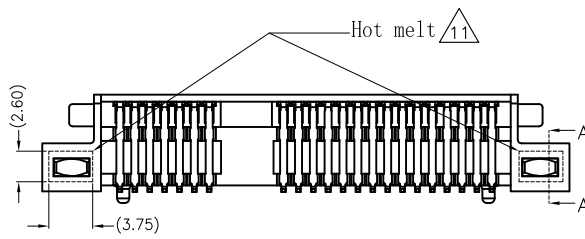
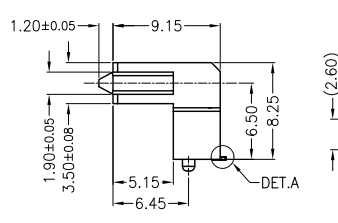
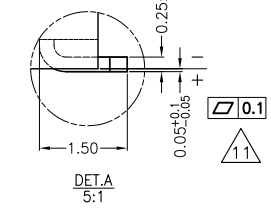
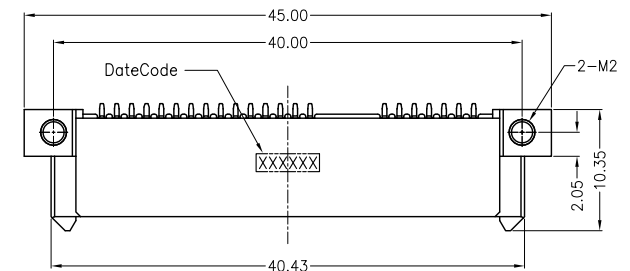
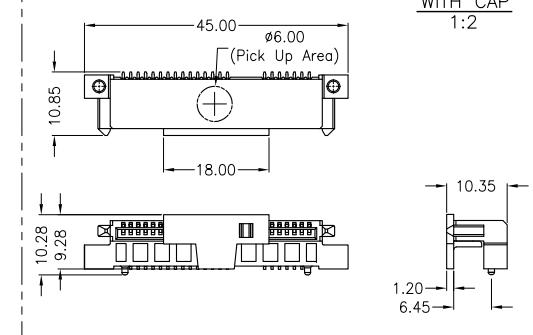
NOTES:

- 1. MATERIAL:
 - 1.1 HOUSING\CAP: THERMOPLASTIC(LCP) HIGH TEMP, WITH G/F UL94 V-0, COLOR: BLACK.
 - 1.2 CONTACT: PHOSPHOR BRONZE.
 - 1.3 NUT: BRASS.
- 2. PLATING:
 - 2.1 CONTACT: Au PLATED ON CONTACT AREA, SEE NOTE4, 100u" MATTE TIN ON SOLDERING TAILS, 50u" NICKEL UNDERPLATING OVER ALL.
 - 2.2 NUT: 100u" NICKEL UNDERPLATING OVER ALL.
- 3. DATE CODE:YY(YEAR),MM(MONTH),DD(DDATE).
- 4. PART LEGEND: STA-005-1C22HX

L : Au PLATED ON CONTACT AREA
 G : GOLD FLASH
 2 : Au:10u"

REVISIONS			
REV	DESCRIPTION	DWN	DATE
11	ADD VIEW	ALDO	2016-07-26

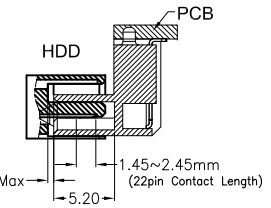
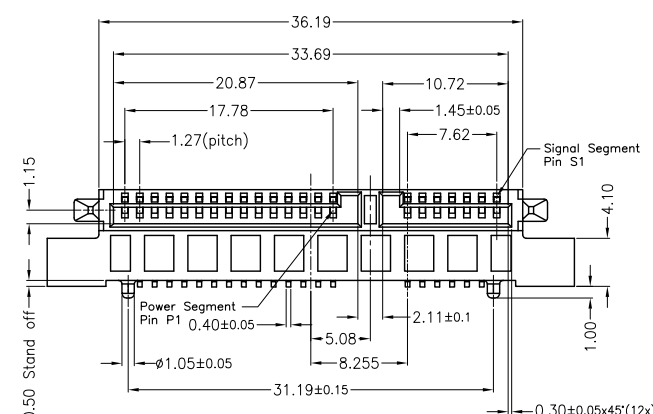
WITH CAP 1:2



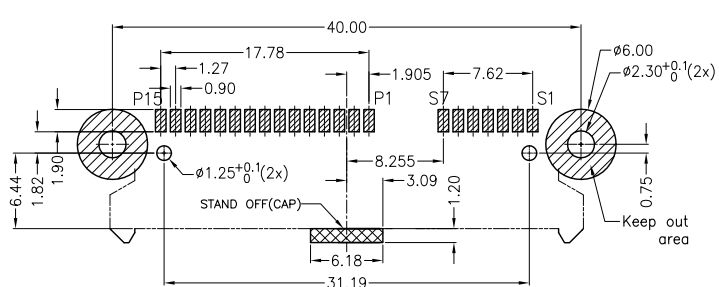
Name	Type	Description
Power Segment		
P1	V33	3.3V Power
P2	V33	3.3V Power
P3	V33	3.3V Power,Pre-charge
P4	GND	
P5	GND	
P6	GND	
P7	V5	5V Power,Pre-charge
P8	V5	5V Power
P9	V5	5V Power
P10	GND	
P11	DA5/DSS	Device Activity Signal/Disable Staggered Spinup
P12	GND	
P13	V12	12V Power,Pre-charge
P14	V12	12V Power
P15	V12	12V Power

Pin Definition

Name	Type	Description
Signal Segment		
S1	GND	
S2	A+	Differential Signal Pair A
S3	A-	
S4	GND	
S5	B-	Differential Signal Pair B
S6	B+	
S7	GND	



MATING DRAWING



RECOMMENDED PCB LAYOUT (TOP VIEW)
GENERAL TOLERANCES:±0.05 (t=1.2)

GENERAL TOLERANCES (OTHERWISE SPECIFIED)	SCALE NONE	DESIGN UNITS MILIMETER
4 PLS ±	DRAWN BY ALDO	DATE 2015-07-26
3 PLS ±	CHECKED BY	DATE
2 PLS ± 0.15	APPROVED BY	DATE
1 PLS ± 0.25	DRAWING NO. SD-STA005-001	PART NO. STA-005 SERIES
ANGLES ± °		
QUALITY SYMBOLS		



TITLE SERIAL ATA RECEPTACLE
C\H OFFSET 6.50mm DIP TYPE

THIS DRAWING CONTAINS INFORMATION THAT IS PROPRIETARY TO VITECK CORP, LTD AND SHOULD NOT BE USED WITHOUT WRITTEN PERMISSION

THIRD ANGLE PROJECTION	DWG REV. 11	SHEET NO. 1 OF 1	SIZE
------------------------	-------------	------------------	------

7

6

5

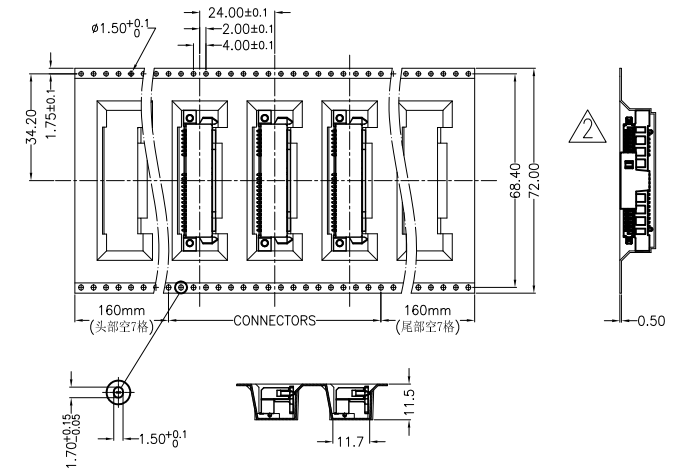
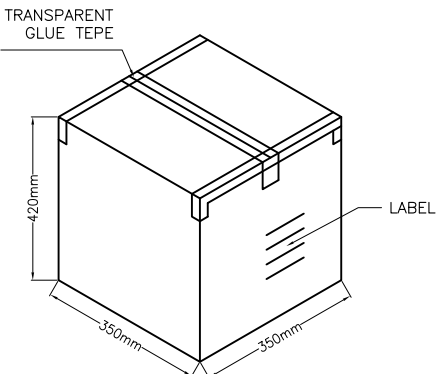
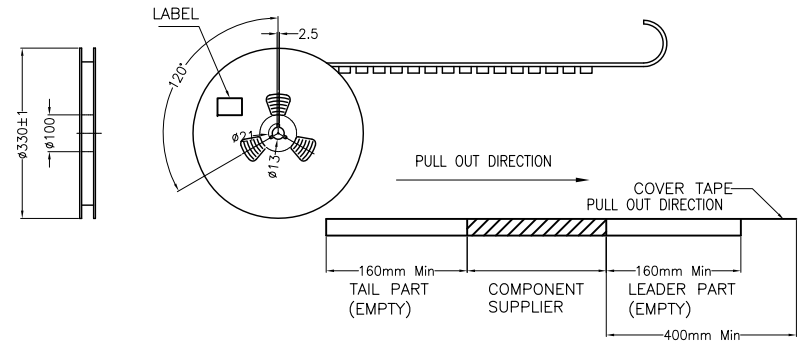
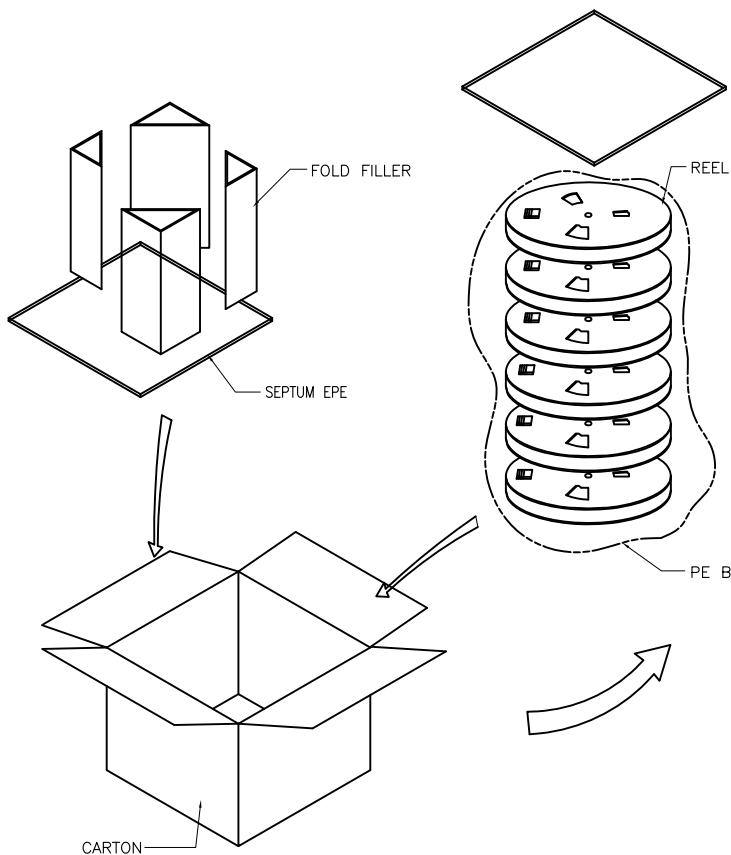
4

3

2

1

REVISIONS			
REV	DESCRIPTION	DWN	DATE
3	PROPOSAL	EDEN	2015-03-30



PRODUCT P/N	PARTS PER SHIPPING CARTON	PARTS PER REEL (S.P.Q.)	TOTAL REELS PER PRIMARY CARTON
STA-005 SERIES	1250 (PCS)	250 (PCS)	5

GENERAL TOLERANCES (OTHERWISE SPECIFIED)	SCALE 1 : 1	DESIGN UNITS MILIMETER	VITECK CO., LTD.
4 PLS ± 3 PLS ± 2 PLS ± 0.20 1 PLS ± 0.25	DRAWN BY EDEN	DATE 2015-03-30	
ANGLES ± °	CHECKED BY	DATE	PART NO. STA-005 SERIES
QUALITY SYMBOLS ▽=0	APPROVED BY	DATE	
THIS DRAWING CONTAINS INFORMATION THAT IS PROPRIETARY TO VITECK CORP, LTD AND SHOULD NOT BE USED WITHOUT WRITTEN PERMISSION			DRAWING NO. PK-STA005-001
THIRD ANGLE PROJECTION		DWG. REV. 3	SHEET NO. 1 OF 1
		SIZE	

7

6

5

4

3

2

1