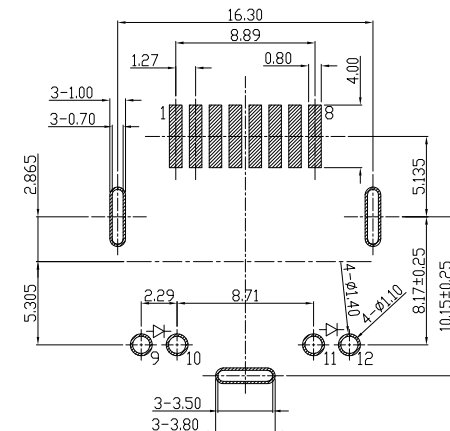
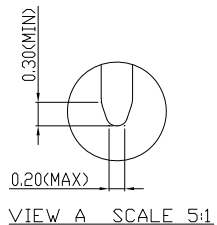
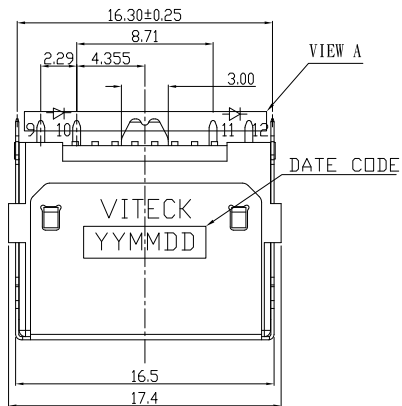


HALOGEN FREE

REVISIONS			
REV	DESCRIPTION	DWN	DATE
G	UPDATE MYLAR	ALDI	2018-08-07
H	REMOVE MYLAR	KELLY	2018-11-27

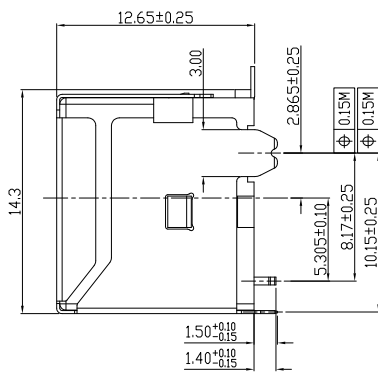
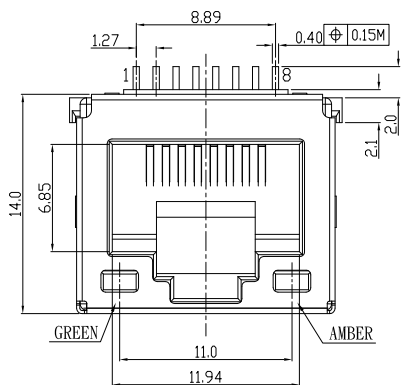


RECOMMENDED PCB LAYOUT
TOLERANCE:±0.05mm
RECOMMENDED PCB THICKNESS:1.60±0.05

- NOTES:
- MATERIAL:
 - HOUSING:PA10T+35%GF(VICNYL R635NH)/PA4TJUL 94V-0, COLOR:BLACK
 - TERMINAL:PHOSPHOR BRONZE(C5210R-EH);T=0.30mm TREATMENT:
 - GOLD FLASH ON CONTACT AREA,MATTE SN 80u" MIN ON SOLDER TAIL,ALL OVER NI 30u" MIN.
 - GOLD 30u" MIN ON CONTACT AREA,MATTE SN 80u" MIN ON SOLDER TAIL,ALL OVER NI 30u" MIN.
 - SHELL:SUS(201);T=0.20mm,TREATMENT:50u" NI
 - LED:GREEN/AMBER,TREATMENT:SILVER
 - MYLAR:THERMOPLASTIC;COLOR:YELLOW
 - CAP:LCP E6808/E6006;JUL 94V-0, COLOR:BLACK
 - SPECIFICATIONS:
 - VOLTAGE RATING:150VAC MAX.
 - CURRENT RATING:1.5AMP MAX.
 - INSULATION RESISTANCE:500MΩ MIN. AT 500V DC.
 - DIELECTRIC WITHSTANDING VOLTAGE: 500V AC 60HZ 1MINUTE.
 - DURABILITY:5000 CYCLES.
 - OPERATING TEMPERATURE:-30°C TO+70°C.
 - FOR REFLOW SOLDERING LEAD-FREE PROCESS.
 - PART LEGEND: RJN-021-1L12HX

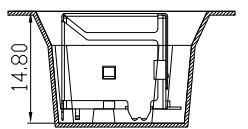
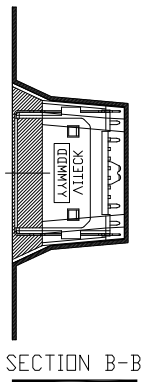
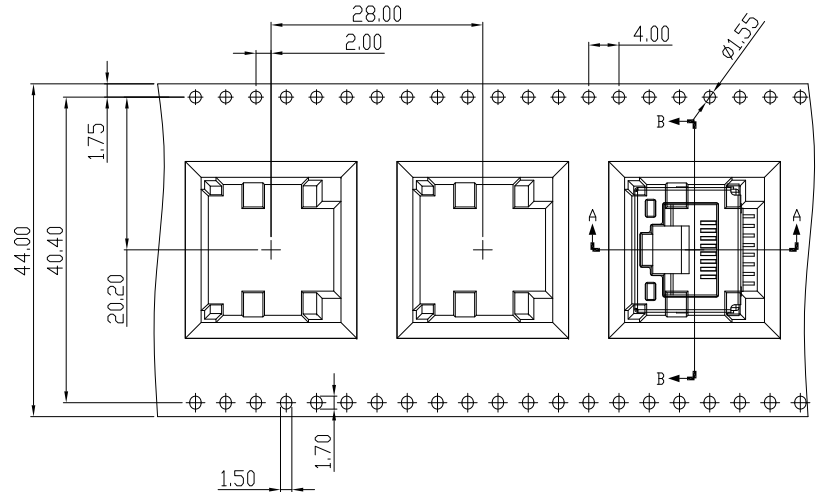
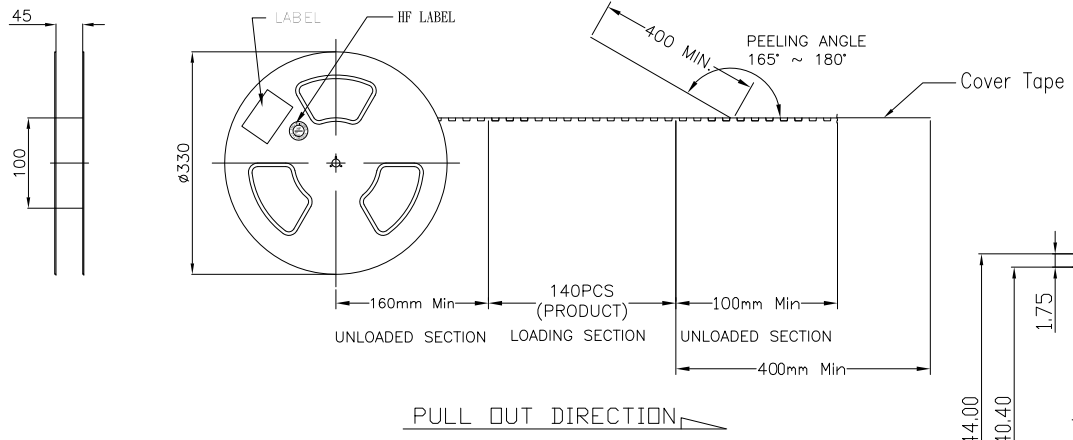
GOLD PLATED ON CONTACT AREA
G:GOLD FLASH
6:30u" Au

LED ELECTRICAL CHARACTERISTIC			
NODE	COLOR	FORWARD CURRENT	
9(+)	10(-)	AMBER	9-10
11(+)	12(-)	GREEN	11-12
			If=20mA
			If=20mA

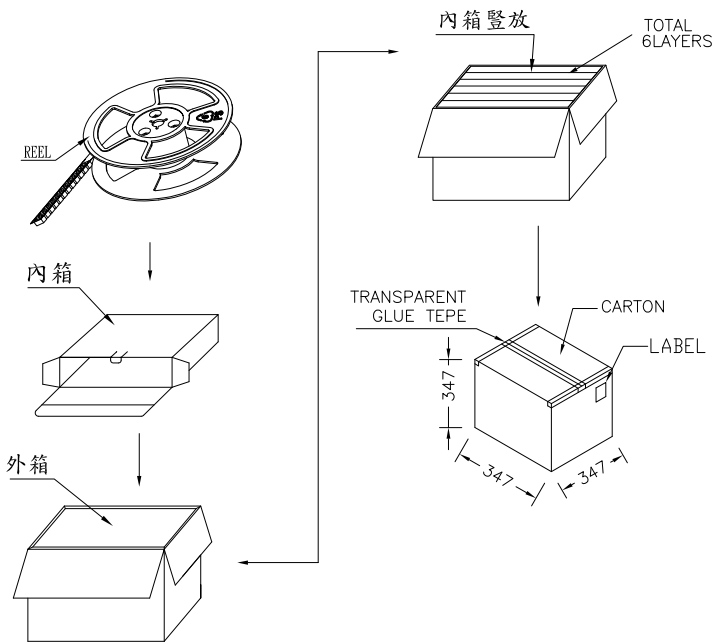


GENERAL TOLERANCES (OTHERWISE SPECIFIED)	SCALE NONE	DESIGN UNITS MILIMETER	
4 PLS ±	DRAWN BY KELLY	DATE 2018-11-27	
3 PLS ±	CHECKED BY	DATE	TITLE RJ45 W/LED(AID) SMD H=12.65mm FOR PCB T=1.50mm
2 PLS ± 0.20	APPROVED BY	DATE	PART NO. RJN-021-1L12HX
1 PLS ± 0.25	DRAWING NO. SD-RJN021-001		
ANGLES ± °			
QUALITY SYMBOLS ∇=0			
THIS DRAWING CONTAINS INFORMATION THAT IS PROPRIETARY TO VITECK CORP., LTD AND SHOULD NOT BE USED WITHOUT WRITTEN PERMISSION			THIRD ANGLE PROJECTION
			DWG REV. H
			SHEET NO. 1 OF 1
			SIZE

REVISIONS			
REV	DESCRIPTION	DWN	DATE
B	PROPOSAL	ALDO	2016-03-10



PULL OUT DIRECTION



GENERAL TOLERANCES (OTHERWISE SPECIFIED)		SCALE NONE	DESIGN UNITS MILIMETER			
4 PLS	±	DRAWN BY JACK WU	DATE 2015-11-13		TITLE RJ45 W/LED(AIO) SMD H=12.65mm FOR PCB T=1.50mm	
3 PLS	±	CHECKED BY	DATE	PART NO. RJN-021 SERIES		
2 PLS	± 0.20	APPROVED BY	DATE			
1 PLS	± 0.30					
ANGLES		± °		THIRD ANGLE PROJECTION		
QUALITY SYMBOLS						
THIS DRAWING CONTAINS INFORMATION THAT IS PROPRIETARY TO VITECK CORP., LTD AND SHOULD NOT BE USED WITHOUT WRITTEN PERMISSION				DWG. REV. B	SHEET NO. 1 OF 1	SIZE

PARTS PER SHIPPING CARTON	PARTS PER REEL (S.P.Q.)	TOTAL REELS PER SHIPPING CARTON
840(PCS)	140(PCS)	6