

7

6

5

4

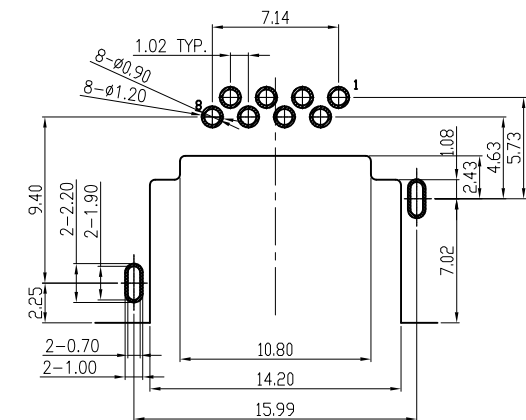
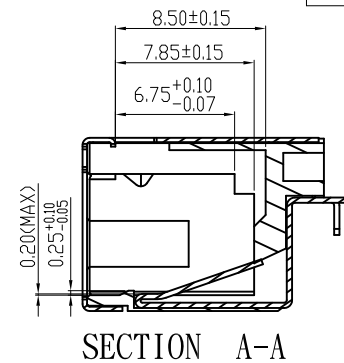
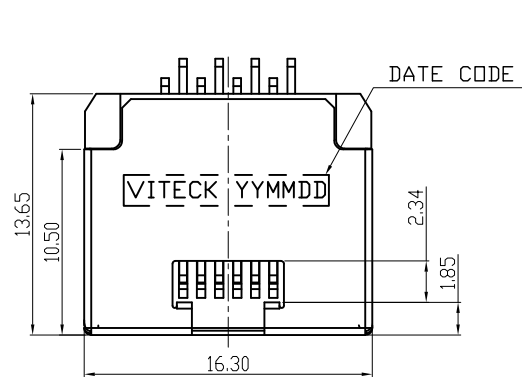
3

2

1

REVISIONS

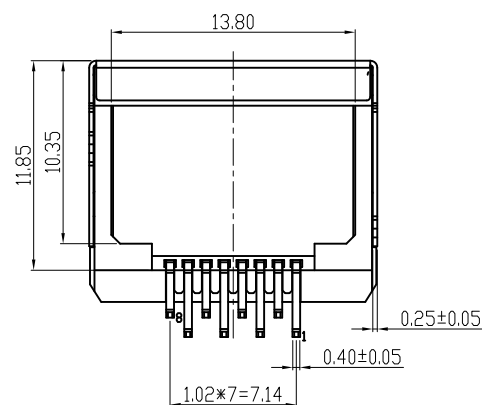
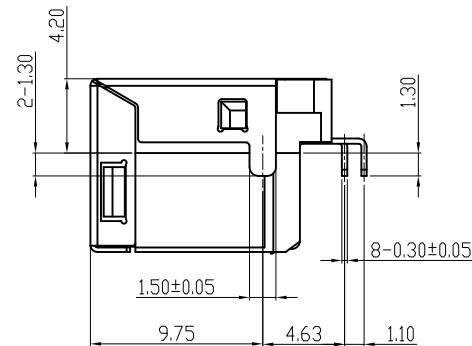
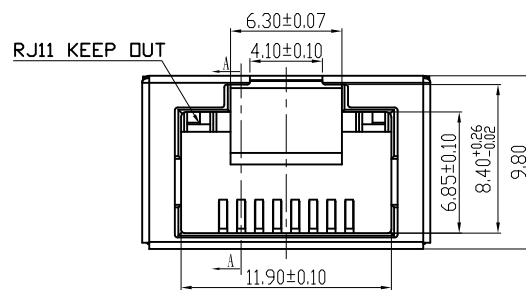
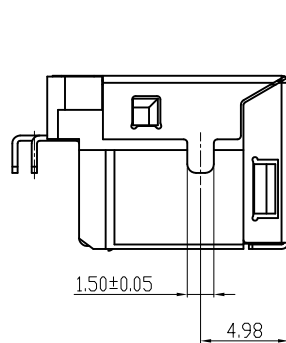
REV	DESCRIPTION	DWN	DATE
1	PROPOSAL	EDEN	2015-03-06



RECOMMENDED PCB LAYOUT (TOP VIEW)
TOLERANCE: ±0.05mm
RECOMMENDED PCB THICKNESS: 1.20±0.05mm

NOTE:

- MATERIAL:
 - HOUSING: HIGH TEMP. THERMAL PLASTIC
GLASS FIBER FILLED (PA10T), UL94V-0, COLOR: BLACK
 - CONTACT: PHOSPHOR BRONZE
 - SHELL: STAINLESS STEEL
- FINISH:
 - CONTACT:
 - GOLD FLASH PLATED ON CONTACT AREA.
50µMIN. MATTE IN PLATING ON SOLDER AREA
 - 30µMIN. NICKEL UNDERPLATING OVERALL
 - SHELL: 50µMIN. NICKEL PLATING OVERALL
- DATE CODE: YY (YEAR), MM (MONTH), DD (DATE)
- ROHS AND HALOGEN FREE COMPLIANT
- MEET LEAD FREE PROCESS (IR REFLOW 260 DEGREE CENTIGRADE)



GENERAL TOLERANCES (OTHERWISE SPECIFIED)		SCALE 1 : 1	DESIGN UNITS MILIMETER
4 PLS	±	DRAWN BY EDEN	DATE 2015-03-06
3 PLS	±	CHECKED BY	DATE
2 PLS	± 0.25	APPROVED BY	DATE
1 PLS	± 0.25		
ANGLES	± °	DRAWING NO. SD-RJN016-001	PART NO. RJN-016-1N08HG
QUALITY SYMBOLS	▽=0	THIS DRAWING CONTAINS INFORMATION THAT IS PROPRIETARY TO VITECK CORP., LTD AND SHOULD NOT BE USED WITHOUT WRITTEN PERMISSION	

 **VITECK CO., LTD.**

TITLE
RJ45 MODULAR JACK RIGHT ANGLE
DIP OFFSET 4.20mm WITH RJ11 FOOL PROOF

PART NO.
RJN-016-1N08HG

 THIRD ANGLE
PROJECTION

DWG REV.
1

SHEET NO.
1 OF 1

SIZE

7

6

5

4

3

2

1

7

6

5

4

3

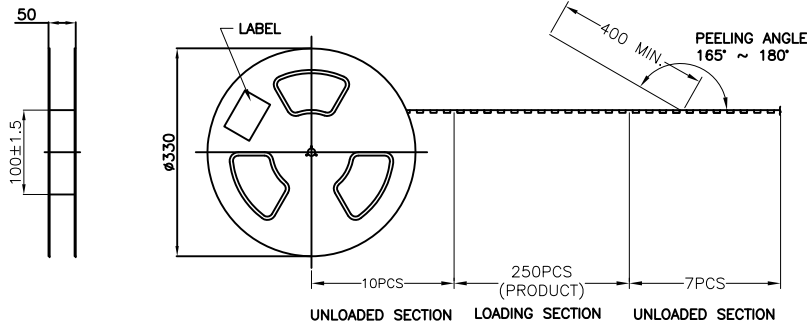
2

1

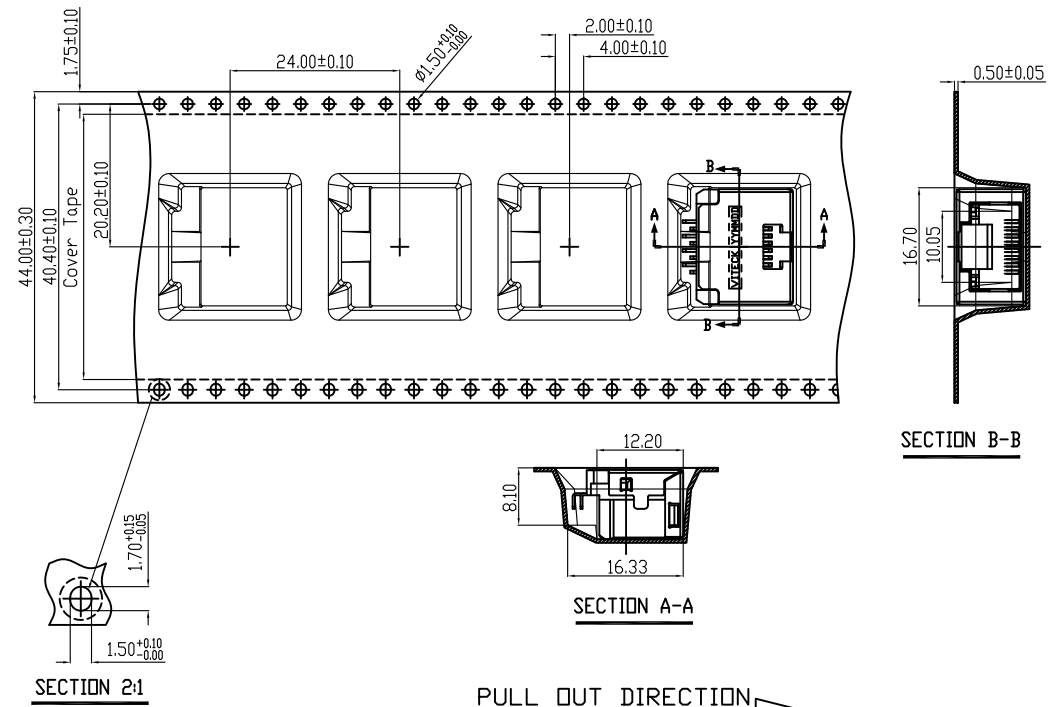
REVISIONS

REV	DESCRIPTION	DWN	DATE
1	PROPOSAL	E DEN	2015-03-23

PRODUCT P/N	PARTS PER SHIPPING CARTON	PARTS PER REEL (S.P.Q.)	TOTAL REELS PER SHIPPING CARTON
RJN-016 SERIES	1500(PCS)	250(PCS)	6



PULL OUT DIRECTION



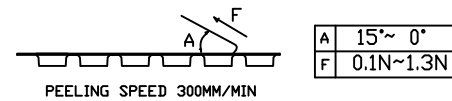
SECTION 2-1

SECTION A-A

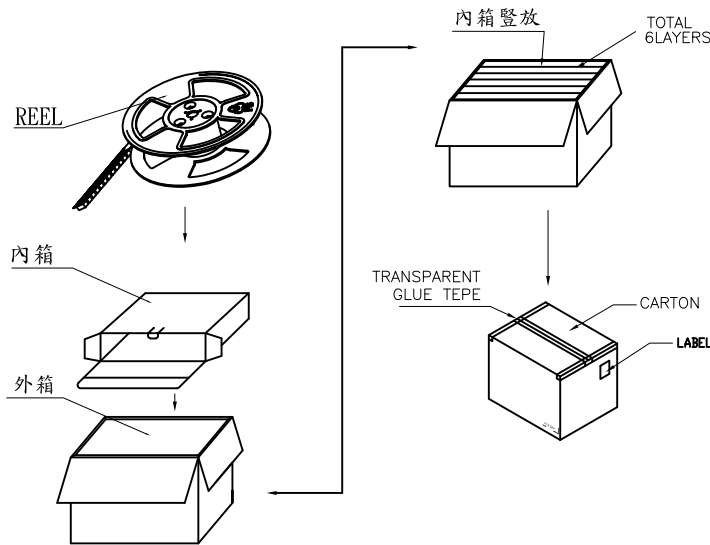
SECTION B-B

PULL OUT DIRECTION

1. COVER TAPE PEELING FORCE:



2. PART DIMENSIONS MEET EIA-481-2-A REQUIREMENT



GENERAL TOLERANCES (OTHERWISE SPECIFIED)	SCALE NONE	DESIGN UNITS MILIMETER	
4 PLS ±	DRAWN BY EDEN	DATE 2015-03-23	
3 PLS ±	CHECKED BY	DATE	TITLE RJ45 MODULAR JACK RIGHT ANGLE
2 PLS ± 0.25	APPROVED BY	DATE	DIP OFFSET 4.20mm WITH RJ11 FOOL PROOF
1 PLS ± 0.25	DRAWING NO. PK-RJN016-001	PART NO. RJN-016 SERIES	
ANGLES ± °			
QUALITY SYMBOLS $\nabla=0$			
THIS DRAWING CONTAINS INFORMATION THAT IS PROPRIETARY TO VITECK CORP, LTD AND SHOULD NOT BE USED WITHOUT WRITTEN PERMISSION			THIRD ANGLE PROJECTION
		DWG REV. 1	SHEET NO. 1 OF 1
			SIZE

7

6

5

4

3

2

1