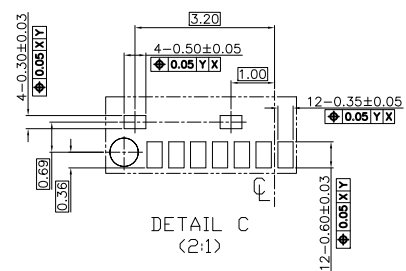
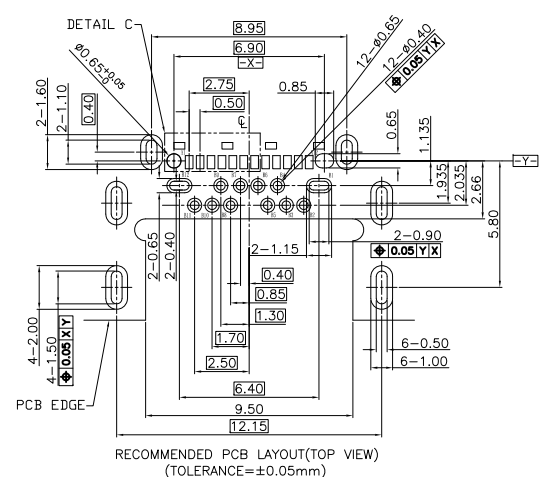
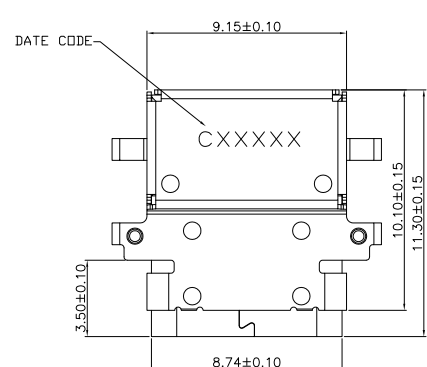


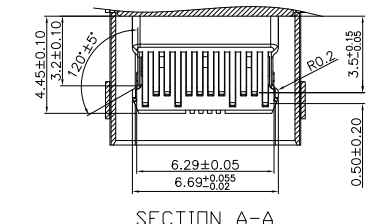
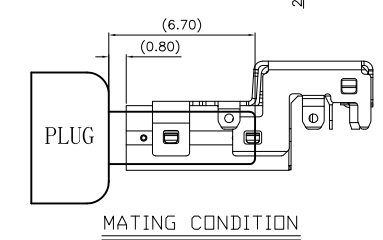
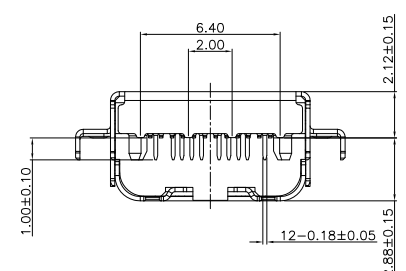
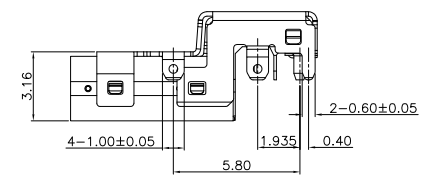
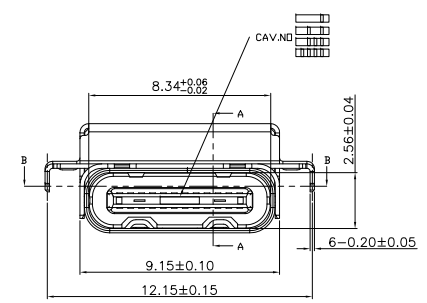
HALOGEN FREE

REVISIONS

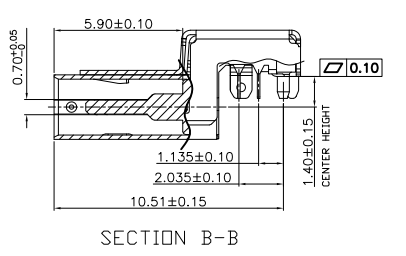
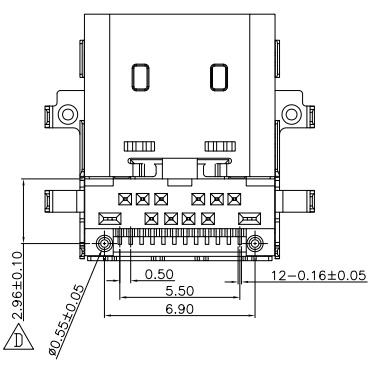
REV	DESCRIPTION	DWN	DATE
C	MODIFY PLATING	ALDO	2019-10-20
D	MODIFY NOTES AND DIMENSION	JACK WU	2019-11-25



- NOTES :
- MATERIAL:
    - A. HOUSING : LCP E471i ,UL94V-0.
    - B. CONTACT : C7025 R-H T=0.12mm
    - C. MID-PLATE : SUS301-1/2H T=0.15mm
    - D. SHELL : SUS304-1/2H T=0.20mm
    - E. OUTER SHELL : SUS304-1/2H T=0.20mm
  - FINISH:
    - CONTACT : Au ON CONTACT AREA(SEE NOTES 5)  
GOLD FLASH ON SOLDER PLATING  
50u"(Min) NICKEL UNDERPLATING OVERALL .
    - OUTER SHELL : 50u"(Min) NICKEL UNDERPLATING OVERALL
  - ELECTRICAL CHARACTERISTIC:
    - 3-1. CONTACT CURRENT RATING:
      - 5A FOR VBUS PINS(A4,A9,B4,B9)
      - 1.25A FOR FOR GND PINS(A1,A12,B1,B12)
      - 0.25 A FOR OTHER PINS
    - 3-2. VOLTAGE RATING: 20.0V
    - 3-3. LOW LEVEL CONTACT RESISTANCE:
      - 40mohms MAX. FOR VBUS, GND AND OTHER CONTACTS.
      - 50mohms MAX. AFTER ENVIRONMENT TEST.
  - MECHANICAL CHARACTERISTIC:
    - 4-1. INSERTION FORCE: 5~20N.
    - 4-2. EXTRACTION FORCE: 14~20N (INITIAL)  
8~20N (AFTER DURABILITY CYCLES)
    - 4-3. DURABILITY: 10000 MATING CYCLES
    - 4-4. OPERATING TEMPERATURE: -55°C TO +85°C.
  - P/N : UTC-022-1R24HX
- PLATING OF CONTACT AREA  
G: GOLD FLASH  
6: 30u" Au



PIN ASSIGNMENT											
A1	A2	A3	A4	A5	A6	A7	A8	A9	A10	A11	A12
GND	TX1-	TX1-	VBUS	CC1	D+	D-	RFU1	VBUS	RX2-	RX2+	GND
GND	RX1+	RX1-	VBUS	RFU2	D-	D+	CC2	VBUS	TX2-	TX2+	GND
B12	B11	B10	B9	B8	B7	B6	B5	B4	B3	B2	B1



GENERAL TOLERANCES (OTHERWISE SPECIFIED)	SCALE	DESIGN UNITS
4 PLS ±	NONE	MILIMETER
3 PLS ± 0.05		
2 PLS ± 0.10		
1 PLS ± 0.20		
ANGLES ± °		
QUALITY SYMBOLS		

THIS DRAWING CONTAINS INFORMATION THAT IS PROPRIETARY TO VITECK CORP, LTD AND SHOULD NOT BE USED WITHOUT WRITTEN PERMISSION

DRAWN BY	DATE
ALDO	2019-04-22
CHECKED BY	DATE
APPROVED BY	DATE
DRAWING NO.	SD-UTC-022-001

**VITECK CO., LTD.**

TITLE: USB TYPE C R/A HYBRID TYPE CH=-1.40mm

PART NO.: UTC-022-1R24HX

DWG REV. D SHEET NO. 1 OF 1 SIZE

THIRD ANGLE PROJECTION